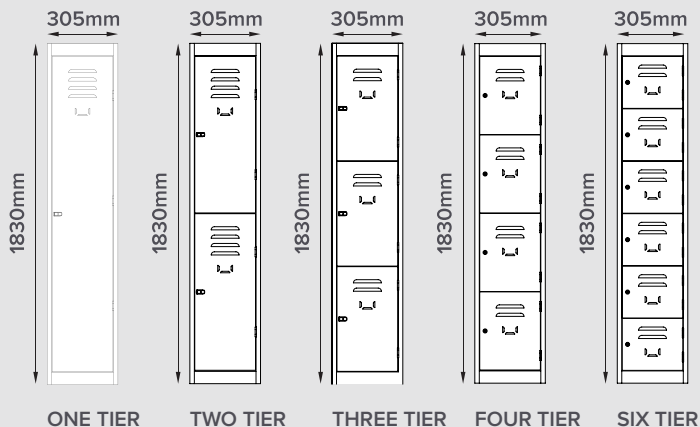


STEELCO

## STEEL LOCKERS





## PRODUCT INFORMATION



### FEATURES

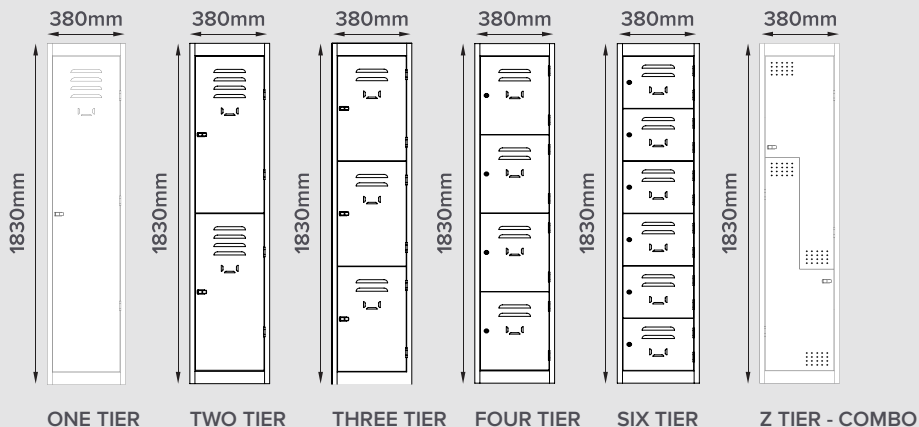
- Available in 305mm wide and 380mm wide units
- Flush mounted doors with 180 degree opening capability
- Hanging rail included in 1 and 2 door lockers
- Card holder provision on each locker door for easy identification
- All locker doors fitted with ventilation holes with unique perforations available
- Compartments can be fitted with GPO and USB outlets to become powered
- Locker doors can be fitted with sound absorbing acoustic panels to minimise noise in any environment
- Quality powder coated finish

### STOCK COLOURS

SILVER GREY

### LOCKING MECHANISMS

- Key Lock
- Pad Latch



## PRODUCT INFORMATION

### SPECIFICATION



CODE	DESCRIPTION	DIMENSIONS (mm)
LK1T305	Steelco 1 Tier Locker (305mm wide)	1830H x 305W x 460D
LK1T380	Steelco 1 Tier Locker (380mm wide)	1830H x 380W x 460D
LK2T305	Steelco 2 Tier Locker (305mm wide)	1830H x 305W x 460D
LK2T380	Steelco 2 Tier Locker (380mm wide)	1830H x 380W x 460D
LK3T305	Steelco 3 Tier Locker (305mm wide)	1830H x 305W x 460D
LK3T380	Steelco 3 Tier Locker (380mm wide)	1830H x 380W x 460D
LK4T305	Steelco 4 Tier Locker (305mm wide)	1830H x 305W x 460D
LK4T380	Steelco 4 Tier Locker (380mm wide)	1830H x 380W x 460D
LK6T305	Steelco 6 Tier Locker (305mm wide)	1830H x 305W x 460D
LK6T380	Steelco 6 Tier Locker (380mm wide)	1830H x 380W x 460D
LK8T380	Steelco 8 Tier Locker	1830H x 380W x 460D
LK12T380	Steelco 12 Tier Locker	1830H x 380W x 460D
LK2COMBO	Steelco Z Tier Combo Locker (2 Tier)	1830H x 380W x 460D



## PRODUCT INFORMATION



### ACCESSORIES

- Sloping Top
- Locker bench
- Locker stand
- Locker numbering
- Corner infill
- 240V Power Outlet
- Letterbox
- Digital locks
- RFID locks
- Plinths

### PERFORATION TYPES

- 1 - Square Holes
- 2 - Round Edge Staggered Slots
- 3 - Circular Holes
- 4 - Circular Staggered Holes
- 5 - Diamond Holes
- 6 - Angled Round Edge Slots

