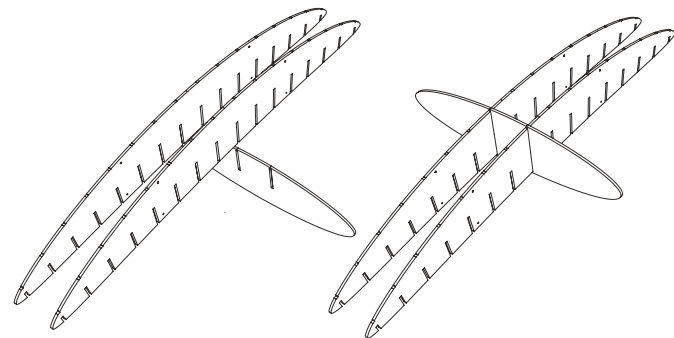


## PACK CONTENTS

- 1 x Lattice Baffles
- 4 x Ceiling Mounts
- 4 x 1m Galvanised Cables
- 4 x Cable Adjusters

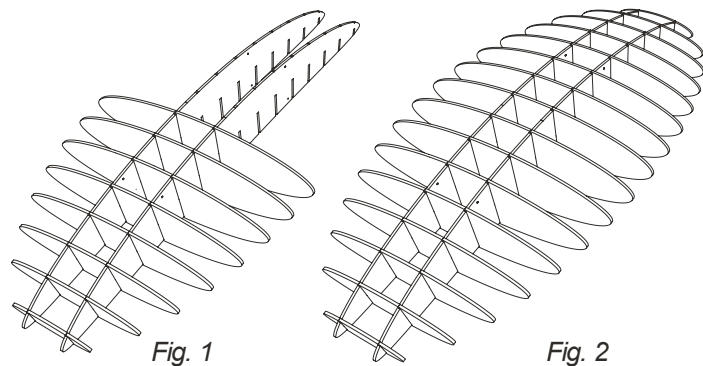
## ASSEMBLY

**1.**



Sort the Lattice 'fins' into pairs, then into size order: largest to smallest. Start by taking one of the largest fins and slotting it into the centre slots in the 'rails'.

**2.**

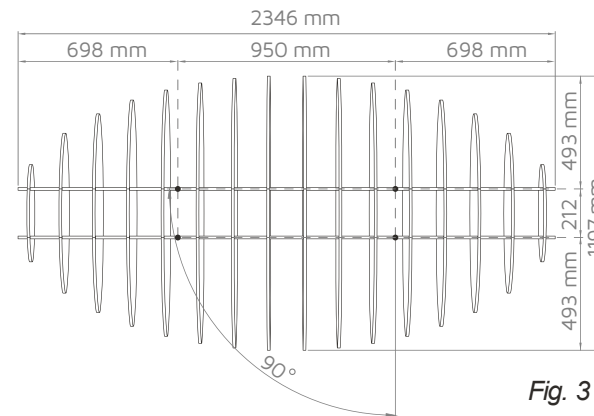


Finish one side by methodically inserting one of each pair into place in order of decreasing size (Fig. 1).

Repeat for the other side (Fig. 2).

## INSTALLATION

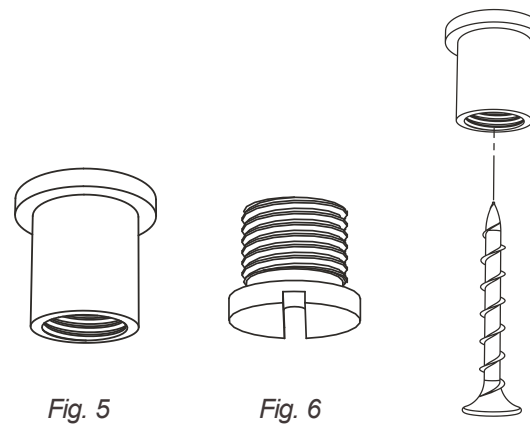
**1.**



Determine where you want the Lattice to hang (Fig. 3). Mark the ceiling mount points as per the dotted lines.

Remove the round plugs in the pre-cut holes of each Lattice rail.

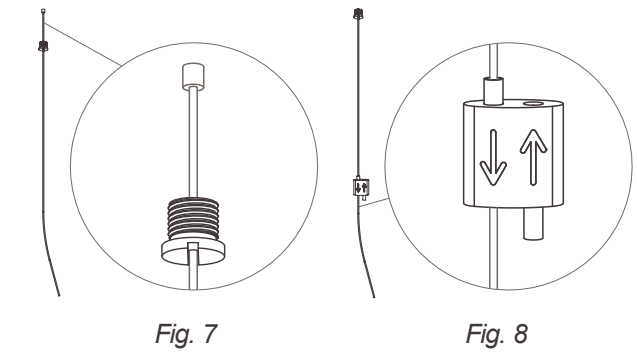
**2.**



Separate the ceiling mounts into their individual parts - ceiling mounts (Fig. 5) and ceiling mount caps (Fig. 6).

Screw ceiling mounts (Fig. 5) to the ceiling substrate at the marked centres (Step 1) with a fixing appropriate for the substrate.

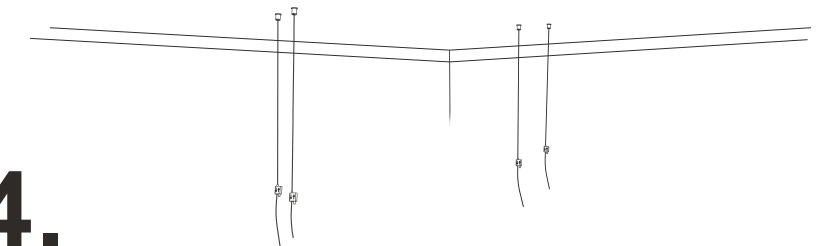
**3.**



Thread the ceiling mount caps (Fig. 6) onto the cables (Fig. 7).

Thread the cable adjuster onto cables (Fig. 8).

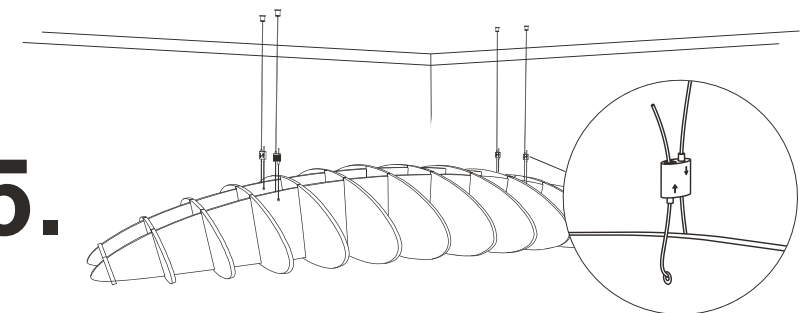
**4.**



Screw assembled cables into the fixed ceiling mounts.

Decide which way up the Lattice will hang - convex down or convex up - and lay the rails out in their correct orientation.

**5.**



Lift the Lattice up to meet the cables threading the wires through the plugs and into the cable adjuster.

When the Lattice is hung, use the adjuster to make minor adjustments to set correct, level height\*. Once set, trim excess wire, leaving 30 mm for seismic compliance.

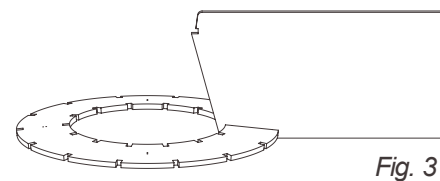
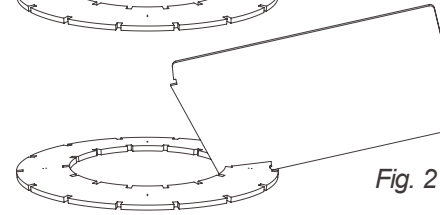
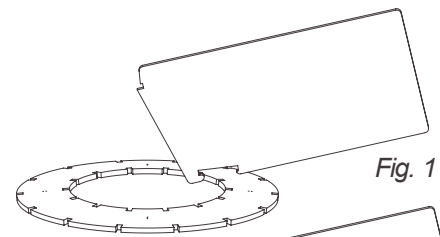
\*Speak to your Autex Account Manager for more information on setting the best suspension height for your application.

## PACK CONTENTS

2 x Lattice Baffles                      8 x Ceiling Mounts  
8 x 1m Galvanised Cables              8 x Cable Adjusters

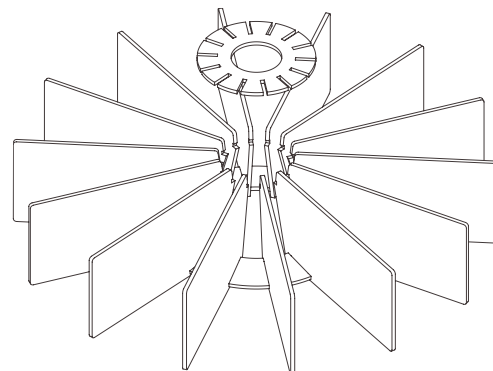
## ASSEMBLY

**1.**



Start clipping the fins into the top ring as shown in Fig. 1, 2 and 3 until complete.

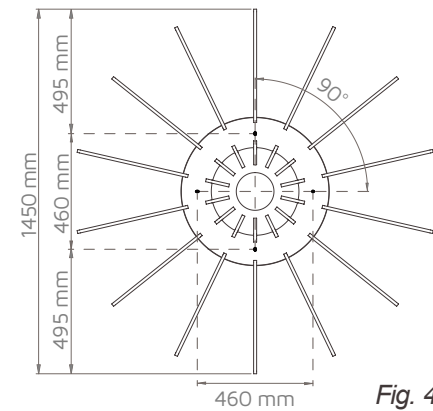
**2.**



Once all fins are clipped to the top ring, gently and evenly press the bottom ring into position. Ensure all joints are snug and carefully roll over so the larger ring is on the top. Check again for any loose connections, make sure the hooks on the fins have clipped over the top ring.

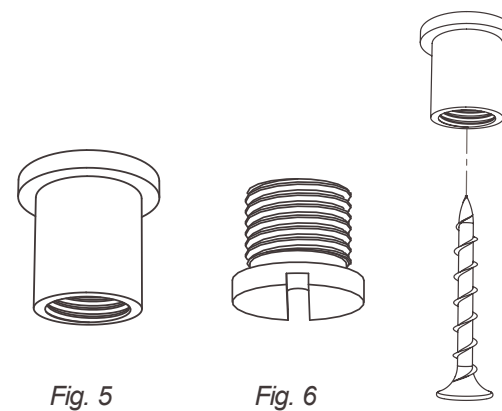
## INSTALLATION

**1.**



Determine where you want the Lattice to hang (Fig. 4). Mark the ceiling fixing points as per dotted lines.

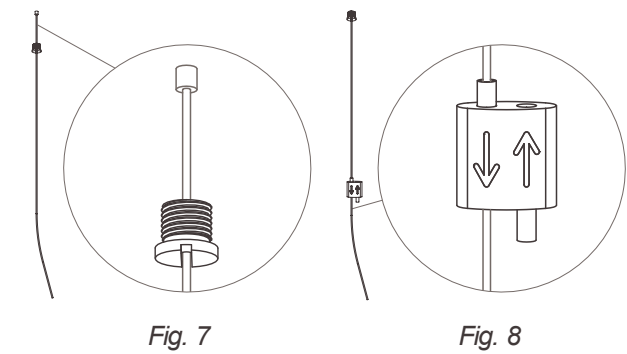
**2.**



Separate the ceiling mounts into their individual parts - ceiling mounts (Fig. 5) and ceiling mount caps (Fig. 6).

Screw ceiling mounts (Fig. 5) to the ceiling substrate at the marked centres (Step 1) with a fixing appropriate for the substrate.

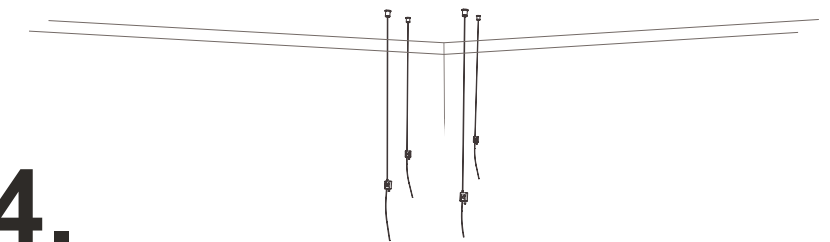
**3.**



Thread the ceiling mount caps (Fig. 6) onto the cables (Fig. 7).

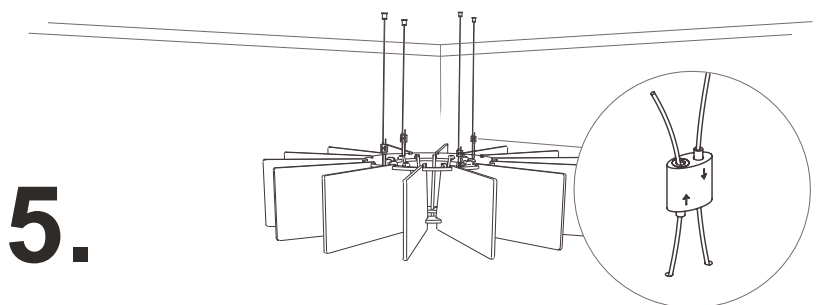
Thread the cable adjuster onto cables (Fig. 8).

**4.**



Screw assembled cables into the fixed ceiling mounts.

**5.**



Lift the Lattice up to meet the cables, thread the wires through the holes in the top ring and insert into the cable adjuster.

When the Lattice is hung, use the adjuster to make minor adjustments to set correct, level height\*. Once set, trim excess wire, leaving 30 mm for seismic compliance.

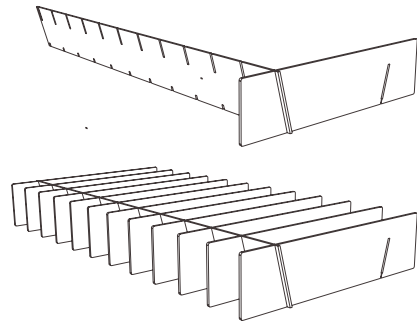
\*Speak to your Autex Account Manager for more information on setting the best suspension height for your application.

## PACK CONTENTS

1 x Lattice Baffle                      4 x Ceiling Mounts  
4 x 1m Galvanised Cables            4 x Cable Adjusters

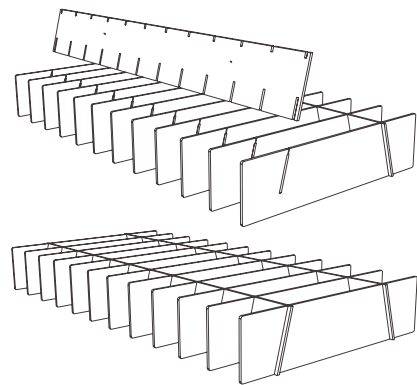
## ASSEMBLY

**1.**



Lay one rail on its edge with the long slots facing up and methodically slot the fins into each slot on the rail at 90 degrees. Make sure the tabs on the fins click into the groove on the bottom of the rail.

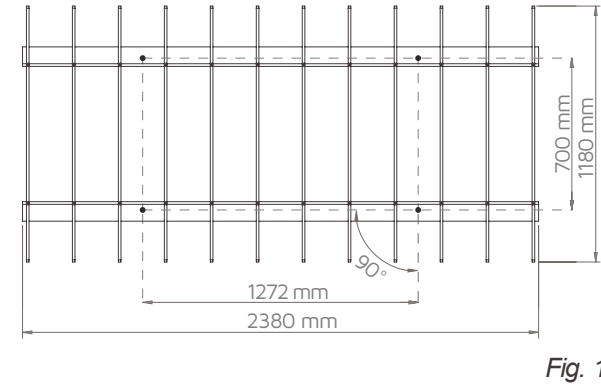
**2.**



Once all the fins are inserted into the rail, flip the Lattice over 180°. Slide the remaining rail into the slots on the fins; again ensuring the tabs on the fins click into the groove on the rail.

## INSTALLATION

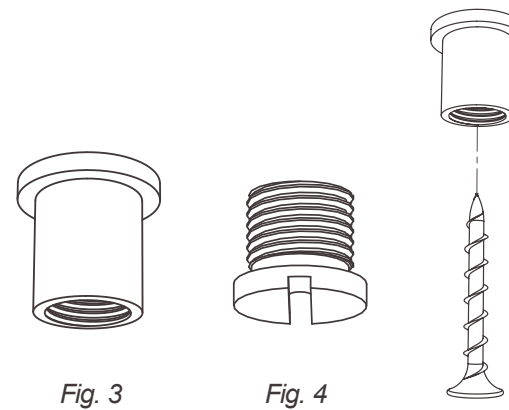
**1.**



Determine where you want the Lattice to hang (Fig.1). Mark the ceiling mount points as per the above diagram.

Remove the round plugs in the pre-cut holes of each Lattice rail.

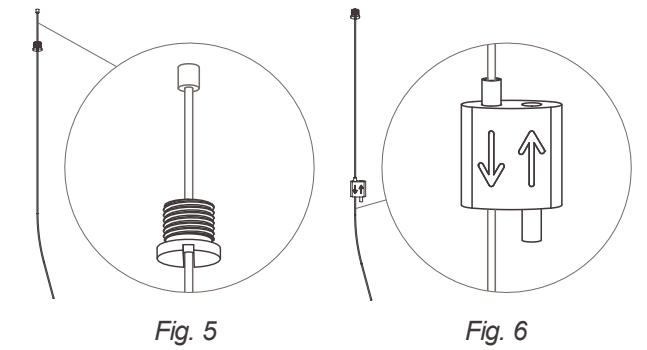
**2.**



Separate the ceiling mounts into their individual parts - ceiling mounts (Fig. 3) and ceiling mount caps (Fig. 4).

Screw ceiling mounts (Fig. 3) to the ceiling substrate at the marked centres (Step 1) with a fixing appropriate for the substrate.

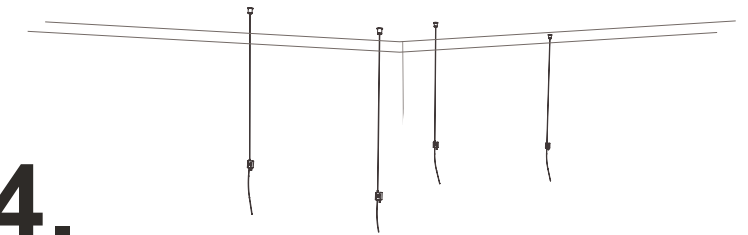
**3.**



Thread the ceiling mount caps (Fig. 4) onto the cables (Fig. 5).

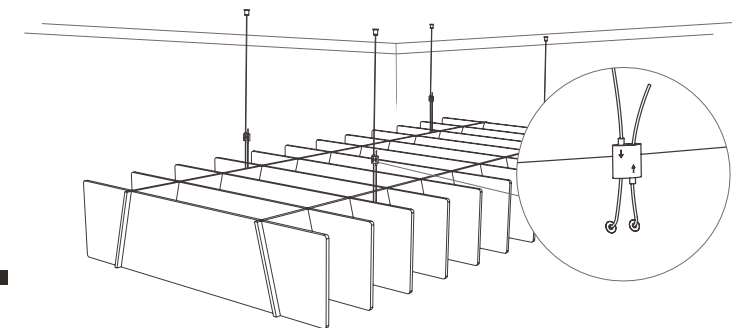
Thread the cable adjuster onto cables (Fig. 6).

**4.**



Screw assembled cables into the fixed ceiling mounts.

**5.**



Lift the Lattice up to meet the cables and thread the wires through the plugs and into the cable adjuster.

When Lattice is hung, use the adjuster to make minor adjustments to set correct, level height\*. Once set, trim excess wire, leaving 30 mm for seismic compliance.

\*Speak to your Autex Account Manager for more information on setting the best suspension height for your application.