

**FDB** | commercial  
interiors

# Rover<sup>®</sup> Range



Product Specifications.

# Introducing the Rover® Range.

A fusion of aspirational design and functionality meticulously designed to transform your workspace into a dynamic, adaptable environment.

---

At the heart of the Rover Range's design is a commitment to sustainability and style, with 50x50mm real timber accents from FSC-certified sources adding a touch of nature to every piece.

The range is wrapped in acoustic recycled board, boasting a high NRC rating of 0.35, with curved corners and a standard charcoal hue, customisable from a palette of 35 vibrant colours to match any decor.

Every element, from soft-close hinges on cupboards to the harmonised heights across the family of 11 versatile furniture products, is thoughtfully selected to enhance your space's functionality and aesthetics. The range includes innovative solutions like double-sided glass whiteboards, credenzas with planter box options, mobile TV cabinets, and coordinated planters for mixed unit screening walls, all designed to support flexible, collaborative workspaces.



# Defining Features.

Crafted with mobility, functionality and design at its core.

The Rover Range features large medical-grade castors, ensuring effortless shifting to reconfigure your space instantly. Stability is uncompromised, thanks to total locking castors that secure both swivel and wheel, anchoring your furniture precisely where you need it.

By integrating acoustic recycled board panelling into the design, the Rover Range achieves a high Noise Reduction Coefficient (NRC) rating of 0.35. The use of these panels ensures a quieter, more focused work environment, making it the ideal solution for dynamic, adaptable workspaces seeking both style and functional acoustic solutions.

Complimenting the acoustic recycled boards is FSC-certified 50x50mm natural frame shaping the product adding complimentary timber accents.

The Rover Range TV Unit offers ample storage for a self-contained battery, conveniently housed within the unit. Designed to accommodate a 55-inch TV, it includes brackets for easy installation. For hassle-free recharging, the unit features an exit hole at the back, ensuring seamless battery access. Please note that the TV and battery are not included.



## FSC-Certified Timber Frame

Support sustainability with our FSC-certified timber frame, bringing timber and natural to any space.



## Acoustic and Pinnable Recycled Board

Enhance your workspace acoustics with our recycled board, designed for superior sound absorption and environmental responsibility.



## Large Medical Grade Castors

Experience effortless mobility with large medical-grade castors, designed for smooth, reliable movement and easy reconfiguration of spaces.



## Soft-close Hinges

Enjoy a quieter, more refined user experience with soft-close hinges that prevent slamming and ensure smooth operation.



## Adjustable Shelving

Optimise your storage space with adjustable shelving, allowing for flexible organisation tailored to your needs.

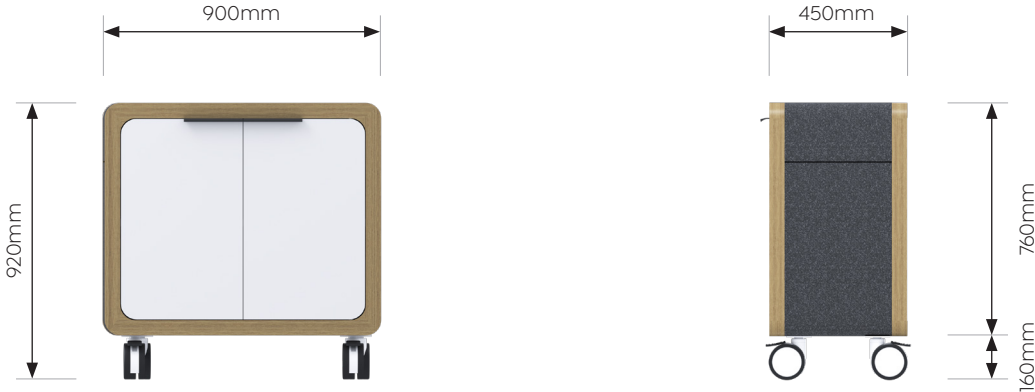


## Aluminum Handles

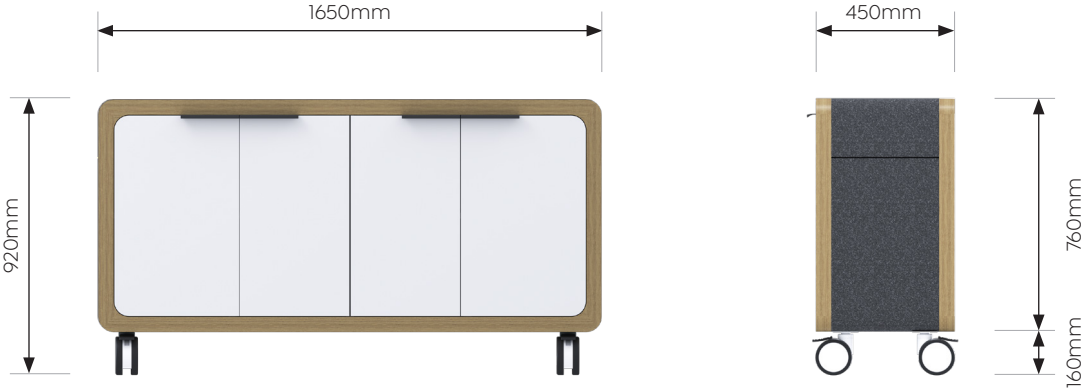
Benefit from the sleek durability of aluminum handles, combining modern aesthetics with long-lasting performance.

# Sizes & Dimensions.

Mobile Credenza - W900 x H920 mm



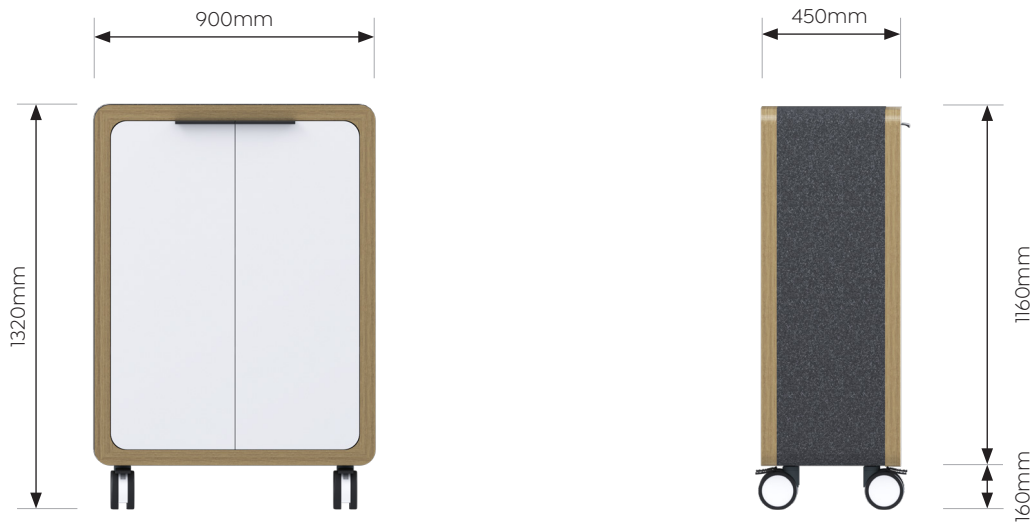
Mobile Credenza - W1650 x H920 mm



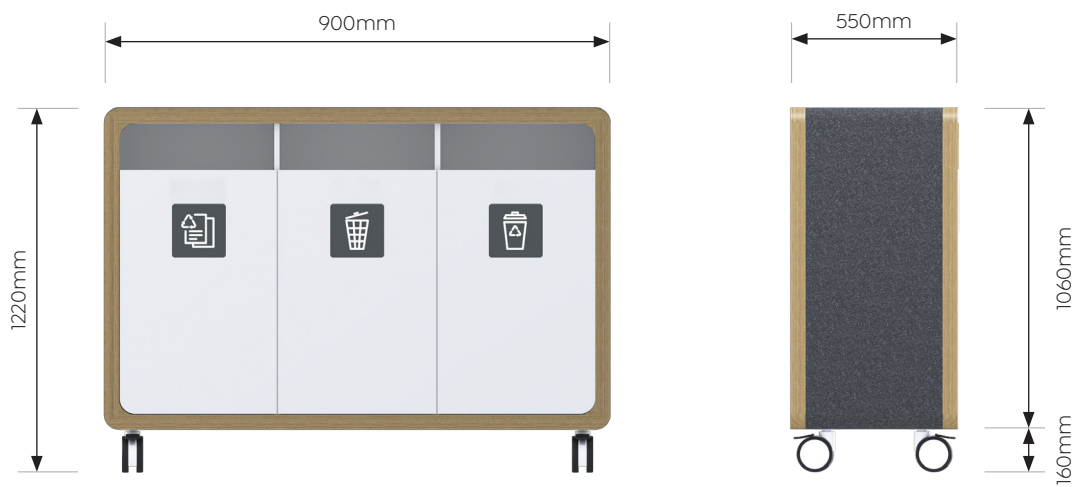


# Sizes & Dimensions.

Mobile Cupboard - W900 x H1320 mm



Mobile Rubbish Bin - W1670 x H1220 mm



# Sizes & Dimensions.

Mobile Locker - W900 x H1620 mm



Mobile Half Locker/ Half Bookcase - W900 x H1920 mm



# Sizes & Dimensions.

Mobile Whiteboard Small - W900 x H1620 mm

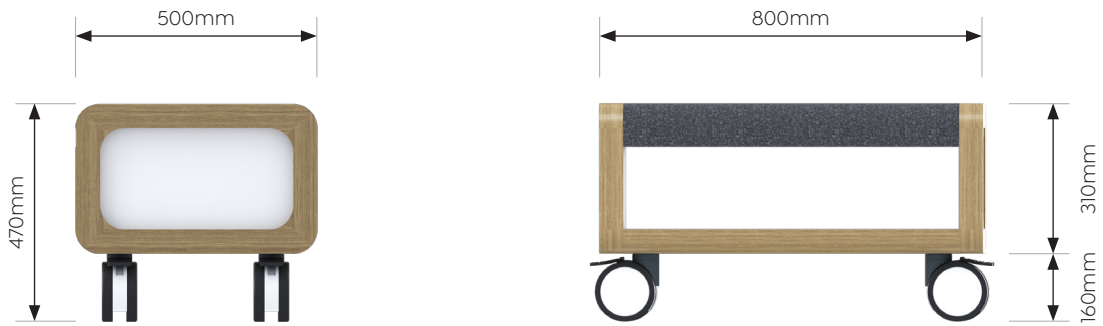


Mobile Whiteboard - W900 x H1920 mm



# Sizes & Dimensions.

Mobile Seat - W800 x H470 mm



Mobile Planter Box - W900 x H300 mm



Mobile Planter Box - W1650 x H300 mm



# Sizes & Dimensions.

Mobile Bookcase Small - W900 x H1620 mm



Mobile Bookcase - W900 x H1920 mm



# Sizes & Dimensions.

Mobile Planter - W900 x H1620 mm



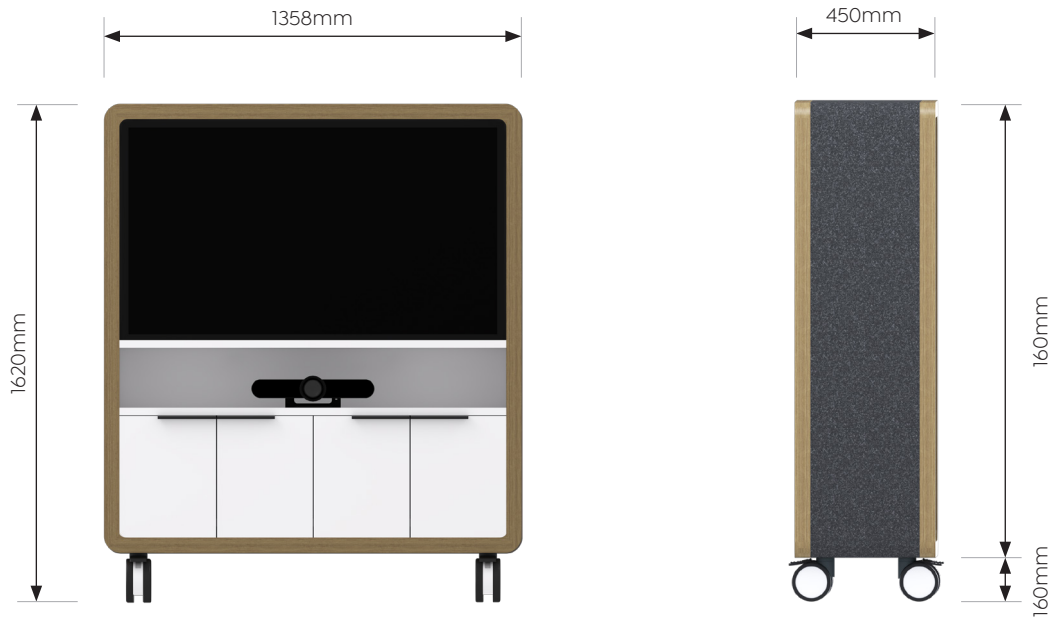
Mobile Planter - W900 x H1920 mm





# Sizes & Dimensions.

Mobile TV - W1358 x H1620 mm



Mobile TV - W1358 x H1920 mm



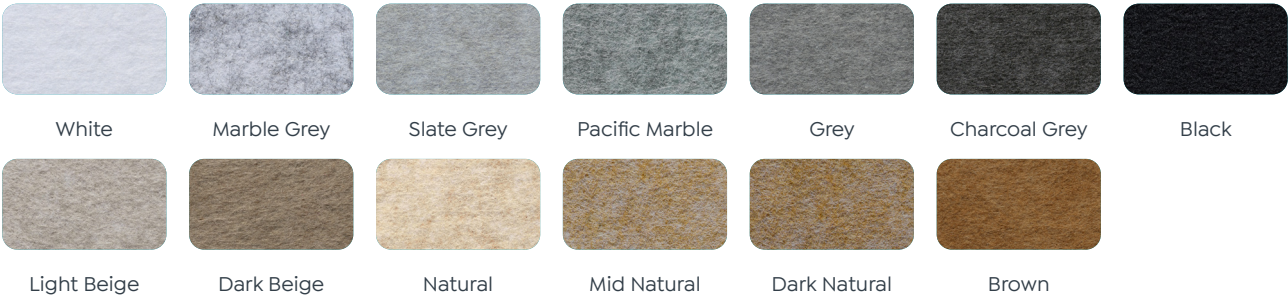






# Acoustic Colour Options.

## Neutral Range



## Moody Range



## Rose Range



## Bright Range

